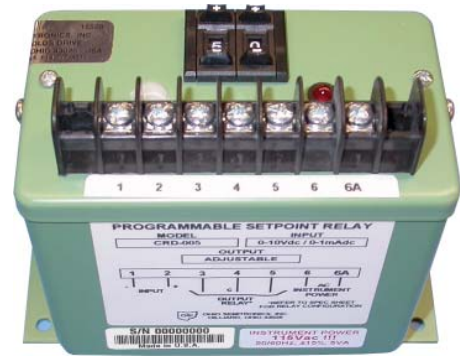


PROGRAMMABLE AS A PERCENT OF RANGE

FEATURES

- Programmable settings for either current or voltage input, threshold levels, and over- or under-relay alarms.
- Internal DIP-switches may be set for either 0-1mAdc or 0-10Vdc, and may be set for under-alarm or over-alarm relay operation.
- Factory setting “0-1mA and over-range alarm mode”
- Lid-mounted two-digit numerical push-button switch calibrated as percent of full scale with a threshold range of 1-99%.
- Red LED lamp lights to indicate when threshold level has been obtained.

5 YEAR WARRANTY



INPUT RANGE	INTERNAL SWITCH POSITIONS							
	1	2	3	4	5	6	7	8
	UNDER RANGE*							
0-1mA _{dc}	ON	ON			ON	ON		
0-10V _{dc}	ON	ON				ON		
	OVER RANGE**							
0-1mA _{dc} *			ON	ON	ON	ON		
0-10V _{dc}			ON	ON		ON		

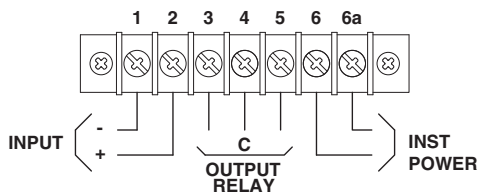
Highlighted area indicates Factory Setting. Unit is set at factory for the 0-1mA input and in the over-range alarm mode.

*The output relay will energize when instrument power is applied and the current is above the set point threshold. It will remain in a “Fail Safe” mode until either the input current drops below the set point threshold or instrument power is removed.

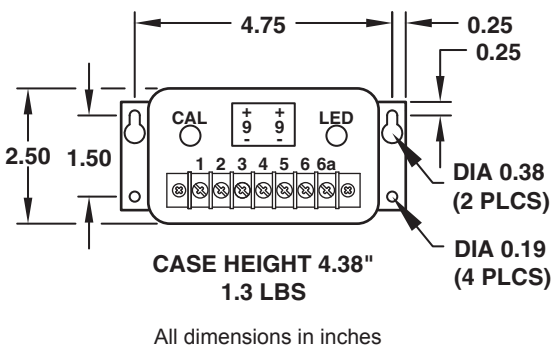
OUTPUT TERMINAL CONNECTIONS & LED OPERATION								
MODE OF OPERATION	UNDER RANGE*				OVER RANGE**			
	3	4	5	LED	3	4	5	LED
INST. POWER OFF	N/C	Com	N/O	OFF	N/C	Com	N/O	OFF
INST. POWER ON	N/C	Com	N/O	ON	N/O	Com	N/C	OFF
INST. PWR. ON INPUT BELOW SET POINT	N/C	Com	N/O	ON	N/O	Com	N/C	OFF
INST. PWR. ON INPUT ABOVE SET POINT	N/O	Com	N/C	OFF	N/C	Com	N/O	ON

** The output relay will energize when instrument power is applied and will remain in a “Fail Safe” mode until either the instrument power is removed or the input exceeds the set point threshold level.

CONNECTION DIAGRAM



CASE DIMENSIONS



SPECIFICATIONS

INPUT

Current 1mA_{dc}
 Current Burden 1kΩ
 Voltage 0-10V_{dc}
 Voltage Burden 10kΩ
 Set Point (Digital) 1-99%, 1% minimum

DIELECTRIC TEST

Input to Output and Case 1500Vac

INSTRUMENT POWER 85-135Vac, 50-400Hz, 2.5VA

OUTPUT

Relay Form C, SPDT
 Rating 120Vac, 3A
 Response Time 10ms

ACCURACY

Accuracy Setpoint ±2 digits
 Resolution ±1 Digit
 Hysteresis ±1 Digit
 Temperature Effect (-10°C to +60°C) ±0.1%/°C

MECHANICAL

Mechanical Operations 1 Million